

# XM SERIES

Resistive Load Bank  
600kW – 1500kW



ISO 9001:2015 Registered



## Standard Features

1. Multi-Unit Remote Control MURC™ capable, manual controls including digital power quality metering with data logging standard.
2. Branch circuit fusing for all resistor element that are easily accessible.
3. Automatic voltage sensing and protection.
4. Automatic phase sensing and correction, spins blower in the right direction every time.
5. Rugged powder coated steel enclosure stands up to the toughest environments.
6. Integral fork lift channels for easy mobility.

## Applications

- Generator Maintenance
- Uninterrupted Power Supplies
- Data Centers
- Renewable Energy
- OEM's

Mosebach XM series of resistive load banks are designed for testing power supplies from 600kW up to 1500kW of various voltages. The XM series is designed for continuous use in the harshest climates and environments.

Each load bank comes equipped with manual controls and a digital meter with data logging capabilities. Every unit is Multi-Unit Remote Controller or MURC™ capable to combine multiple load banks to increase testing capacity with central control and data acquisition.

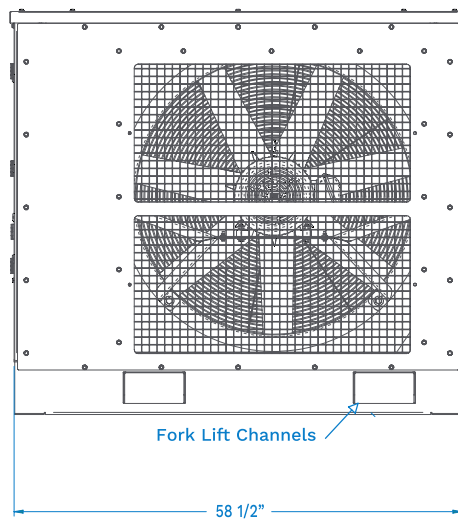
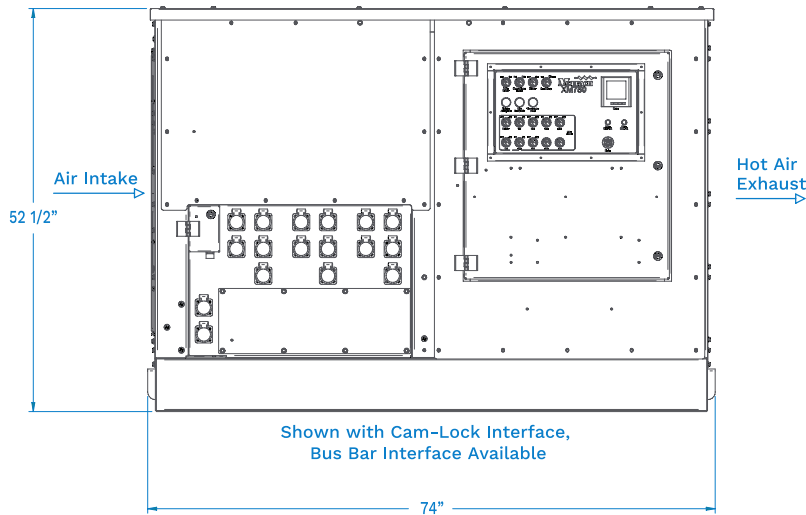
## MOSEBACH MANUFACTURING COMPANY

1417 McLaughlin Run Rd. | Pittsburgh, PA 15241 | 412-220-0200  
loadbankquotes@mosebachresistors.com

[www.mosebachresistors.com](http://www.mosebachresistors.com)

# XM SERIES

## Resistive Load Bank 600kW – 1500kW



XM600 & XM750 are pictured here.

XM1000, XM1250 & XM1500 maintain the same footprint, but stand taller or wider.

### Option Configuration (Select One in Each Group)

#### CAPACITY

- 600 kW
- 750 kW
- 1000 kW
- 1250 kW
- 1500 kW

#### VOLTAGE

- 480 VAC 3-Phase 60hz
- 240 VAC 3-Phase 60hz
- 240/480 VAC 3-Phase 60hz

#### CONNECTION METHOD

- Cam-Lock Interface Kit
- Bus Bar Interface Kit

### Option Add-Ons (Select Desired)

#### OPTIONAL KITS

- Remote Control Kit MURC
- Mobility Kit (Casters)
- Outdoor Installation Kit
- Outdoor Installation Kit w/Louver Covers
- Integral Space Heater Kit
- Extended 2 Year Warranty
- Extended 3 Year Warranty
- Starter Spare Parts Kit

#### OPTIONAL ACCESSORIES

- Equipment Trailer
- Equipment Trailer w/Motorized Cable Reels
- 25 ft. Cable Set
- 50 ft. Cable Set
- 100 ft. Cable Set
- Nationally Recognized Test Lab (NRTL) Approval

Model No.	Total kW	Resolution	Dimensions W x D x H	Weight
XM600	600	5 kW	74" x 59" x 53"	
XM750	750	5 kW	74" x 59" x 53"	
XM1000	1000	5 kW	74" x 59" x 99"	
XM1250	1250	5 kW	74" x 59" x 99"	
XM1500	1500	5 kW	74" x 59" x 99"	

### MOSEBACH MANUFACTURING COMPANY

1417 McLaughlin Run Rd. | Pittsburgh, PA 15241 | 412-220-0200  
loadbankquotes@mosebachresistors.com

[www.mosebachresistors.com](http://www.mosebachresistors.com)

# XM SERIES

## Resistive Load Bank

### 600kW – 1500kW



### Multi-Unit Controller Software

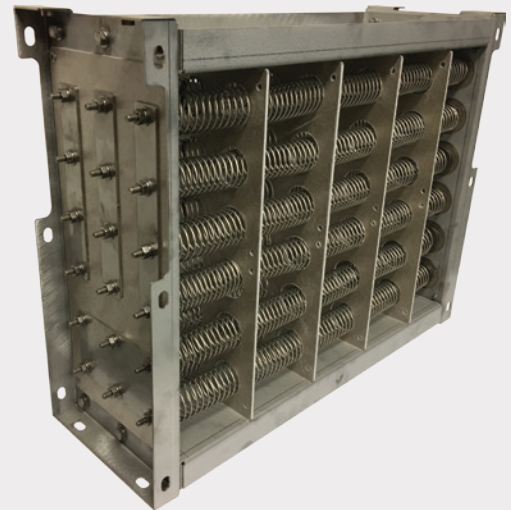
Mosebach's Multi-Unit Remote Controller Software is designed to help manage a single load bank or multiple load banks as one. It is able to be installed and run on any laptop.

The hardware consists of an I/O card that is installed in each load bank. The MURC™ is designed to help manage a group of load banks to get the full load that is needed at the testing site.



### Mosebach's Coil Wound Resistors

Mosebach's Coil Wound Resistor have no ceramics and therefore are lighter and more durable than any other resistor on the market today. The resistors are supported by high temperature Mica supports that have been proven in Dynamic Braking Systems for locomotives and mining trucks all over the world. We are so confident in our resistor technology they come with a 2 year warranty, standard!



XM-SERIES 11/17

**MOSEBACH MANUFACTURING COMPANY**

1417 McLaughlin Run Rd. | Pittsburgh, PA 15241 | 412-220-0200  
loadbankquotes@mosebachresistors.com

[www.mosebachresistors.com](http://www.mosebachresistors.com)